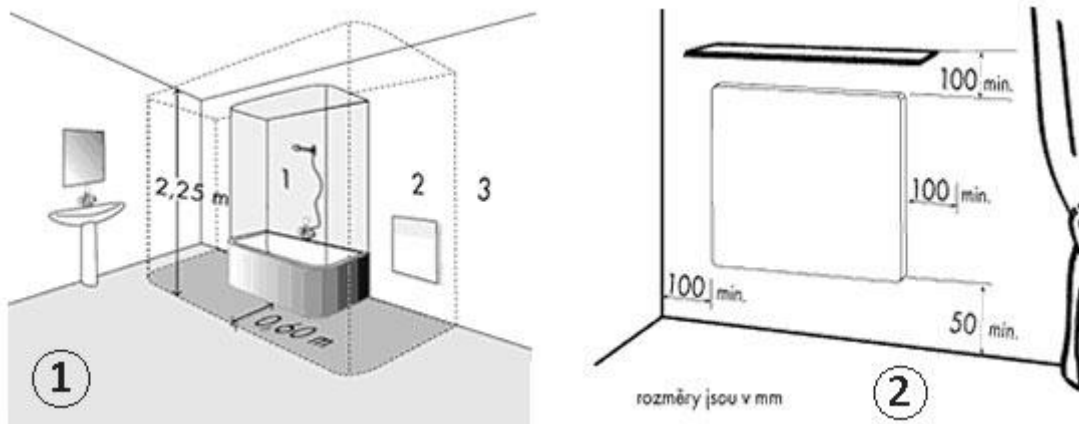


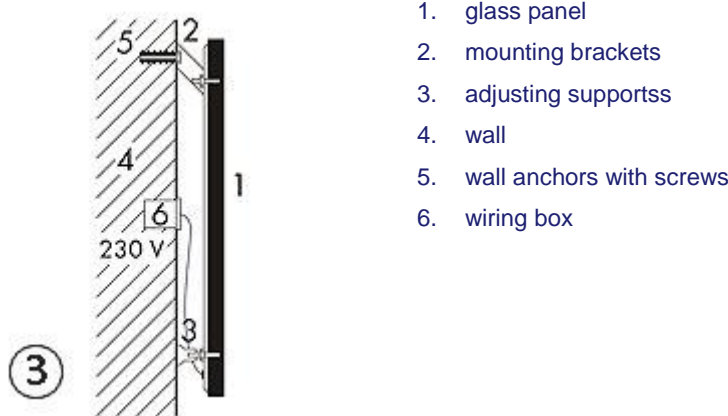
Installation GR panels

Basic information on the installation of GR heating panels

Installation and electrical connection of the heating panels, and bringing them into operation, must only be carried out by a person with a relevant qualification (according to Ordinance 50/78 Coll.) This condition doesn't apply to GR SET panels, which are fitted with a connecting plug. Heating panels can be placed in standard rooms as well as in so-called humid rooms – i.e. bathrooms. In bathrooms, panels must be installed in accordance with the ČSN 33 2000-7-701 standard. They are class II appliances, with protection against splashing water (IP 44 coverage), and therefore they can be placed in zones 2 and 3 (pict. 1). An exception are the GR SET panels, which have to be placed in such a way that the wireless receiver, which is located on the rear side of the panel, is completely in zone 3.



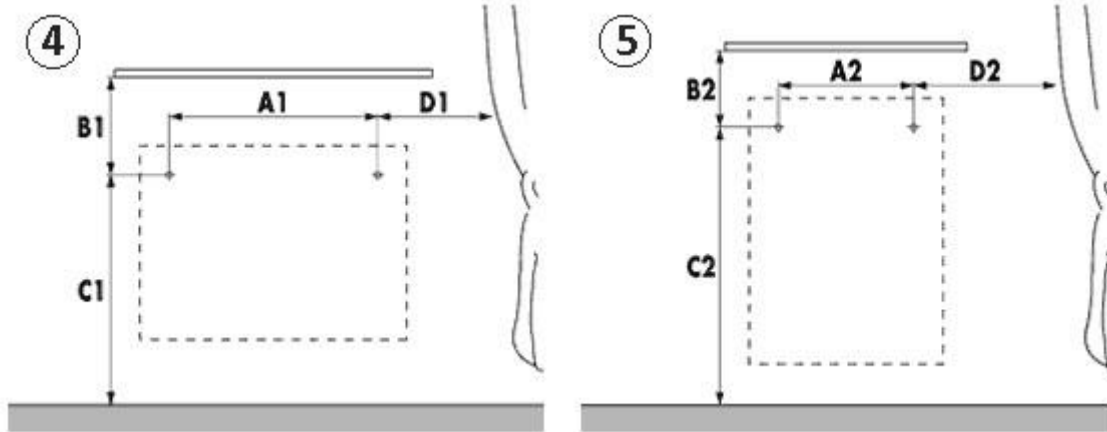
During the installation of radiant heating panels, the following minimum clearances must be observed (Pict.2): The clearance of the bottom edge of the appliance from the floor mustn't be less than 50 mm, the clearance to the side (wall, furniture) must be at least 100 mm, while in the upwards direction (window sill) it is at least 100 mm. The panel mustn't be placed directly under an electric socket. The electrical wiring system must be fitted with a 2-pole switch in which the distance between the disconnected contacts is at least 3 mm (as far as regulation is concerned, the OCD4 from OJ Electronics thermostat fulfills this condition). The panels are packed in a reinforced cardboard box. The packaging includes mounting brackets, which are used for the hanging of the panel on the wall, and adjusting supports which are screwed onto the bottom screws of the panels and are used for the delimitation of the clearance of the panel from the wall. The panel can be installed only in a vertical position. The rear screws for the mounting brackets and adjusting supports are axially symmetrical, and thus it is possible to hang the GR width-wise as well as height-wise. In pict. 3, there is a side view of the panel after it has been hung on the wall.



Installation

procedure

First, drill the openings for the anchorage of the load-bearing brackets according to pict. 4 (width-wise placement) or according to pict. 5 (height-wise placement). Dimensions A are the spacings between the drilled openings and dimensions B, C and D are the minimum distances of the openings from surrounding objects.



GR glass panels - width - wise installation

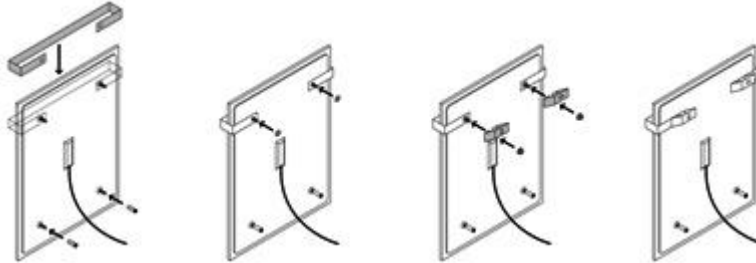
P (W)	A1 (mm)	B1 (mm)	C1 (mm)	D1 (mm)
300	460	220	430	220
500	660	220	530	220
700	800	220	530	250
900	800	220	730	300

GR glass panels - height - wise installation

P (W)	A2 (mm)	B2 (mm)	C2 (mm)	D2 (mm)
300	260	220	630	220
500	360	220	830	220
700	360	250	1000	220
900	560	300	1050	220

Before you attach the brackets to the wall, use them to take the panel out of its packaging – place the panel in the cardboard box on the floor, place the brackets on the screws and attach them there using nuts. Then, lift the panel up and out of the packaging by pulling the brackets. Now, remove the brackets from the panel and attach them firmly in the prepared openings in the wall using screws in wall anchors (not included). It is necessary to choose the fastening material with regards to the weight of the panel and the kind of wall (material, structure). According to the method of installation, slide two washers onto the upper two screws of the panel and screw nuts only onto the edge of the screw-thread. Attach the adjustment screws onto the bottom screws and screw them as tight as you can with your hand. Now, hang the panel by the top two screws on the brackets and attach them to the brackets tightly using the prepared nuts over washers (the washers must be on both sides of the brackets). After tightening them, straighten the panel into a vertical position using the lower adjustment screws.

Installation of the towel rail



Electrical

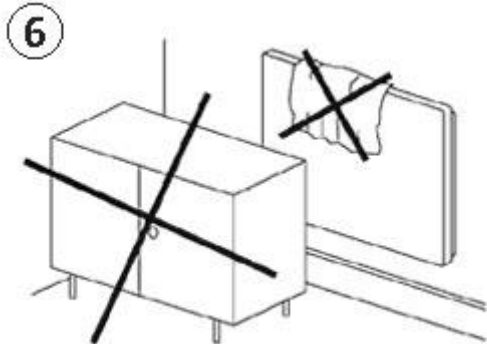
The panels are fitted with a two-conductor cable for 1/N 230 V / 50 Hz. The colour code of the conductors: phase – brown, middle (live) conductor - blue. The supply cable is connected into a wiring box in the wall (pict. 3) – this doesn't apply to the GR SET. If the supply lead of the appliance is damaged, it has to be replaced by the manufacturer, its service technician or a similarly qualified person in order to prevent the occurrence of a dangerous situation.

Uninstalling

Before loosening the attaching brackets, disconnect the heating panel from the mains using a two-pole switch. Loosen the installation screws with the help of tools and lift the panel vertically upwards in such a way that the brackets loosen from the screws. Next, it is necessary to disconnect the supply cable from the box in the wall.

Important

Any interventions into the panel may only be carried out by a qualified person. Before starting such work, the panel has to be disconnected from the source of electric current. As both glass and marble are brittle materials, it is necessary to take extra care during their transport, manipulation and installation. The front board of the panels may be treated only with instruments or preparations which will not damage the surface quality (shine).



wiring

system

the

panel

safety

instructions

Warning:

Do not cover the panel under any circumstances. The notice “**NEZAKRÝVAT**” (**DO NOT COVER**) warns that any material which covers the panel may cause a fire. No furniture or any curtains can be placed in front of the panel (pict.6), and the free circulation of the air must be ensured. Remove dust from the panel regularly, at least before the beginning of each heating season. The panel can be installed on bases of flammability class C1, C2.

Do not touch the panel from the bath or shower!