

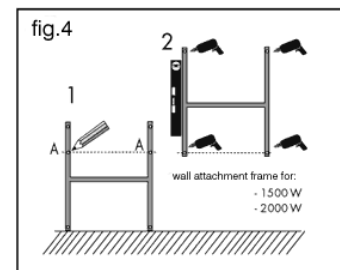
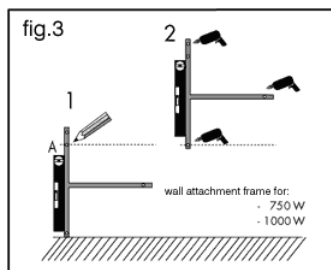
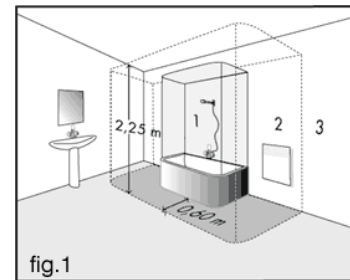
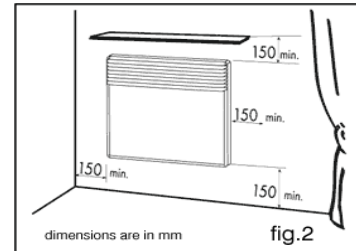
Manual for the Ecoflex wall heating panel

The Heatel Ecoflex EL convector units are heating panels which are applied in house-building, utility-building and industry.

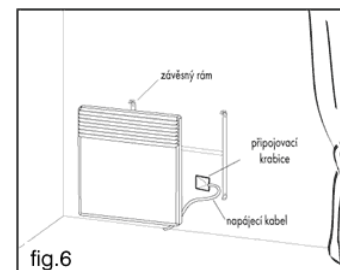
These units are not bound to one place and have a very short warming-time. The units can be used as main heating or extra-heating when the units are used in combination with floor heating.

Installation manual:

- Assemble the Ecoflex EL convector unit according to the assembling prescription and always let an acknowledged installer connect it to the lightning.
- Always make sure that the Ecoflex EL convector unit panel is 15 cm remote of the floor, ceiling, shower cabin or any other obstacle.
- On the following figure is shown on which distances the Ecoflex EL convector unit can best be installed. Hereby is made allowance for that the Ecoflex EL convector unit is not waterproof, but resistant to water drops.
- Never install the Ecoflex EL convector unit directly under a socket.
- The Ecoflex EL convector unit must be consolidated on the delivered frame, which is stuck to the panel. Make sure that all is perfectly consolidated at water level on the wall as shown on the drawings below.

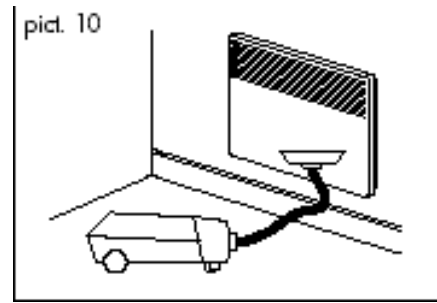
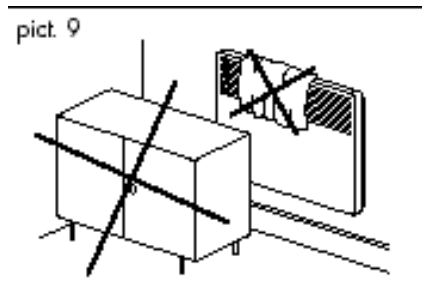


- The Ecoflex EL convector unit is equipped with a 3-vain alimentary cable, 230 V 50Hz.
- The alimentary cable must be installed in a weld-box, which can be best placed behind the panel, where it can't be see.
- The prescription for using the panel is very easy. On the panel you will find an on/off switch. A switch that indicates A = heating off and position M indicates that the panel is on. Next to the on/off switch you find the thermostat-switch, that can be adjusted from * to 9.



Never hang a towel on the drape a curtain over the panel furniture right next or in front of this can cause fire. Clean the with a vacuum cleaner.

Ecoflex EL convector unit, never and never put bathroom the Ecoflex EL convector unit. All panel, before the heating season,



We wish you a lot of enjoyable warmth with your Ecoflex wall heating panel.

